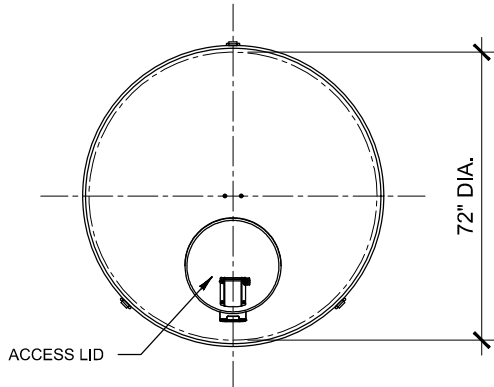


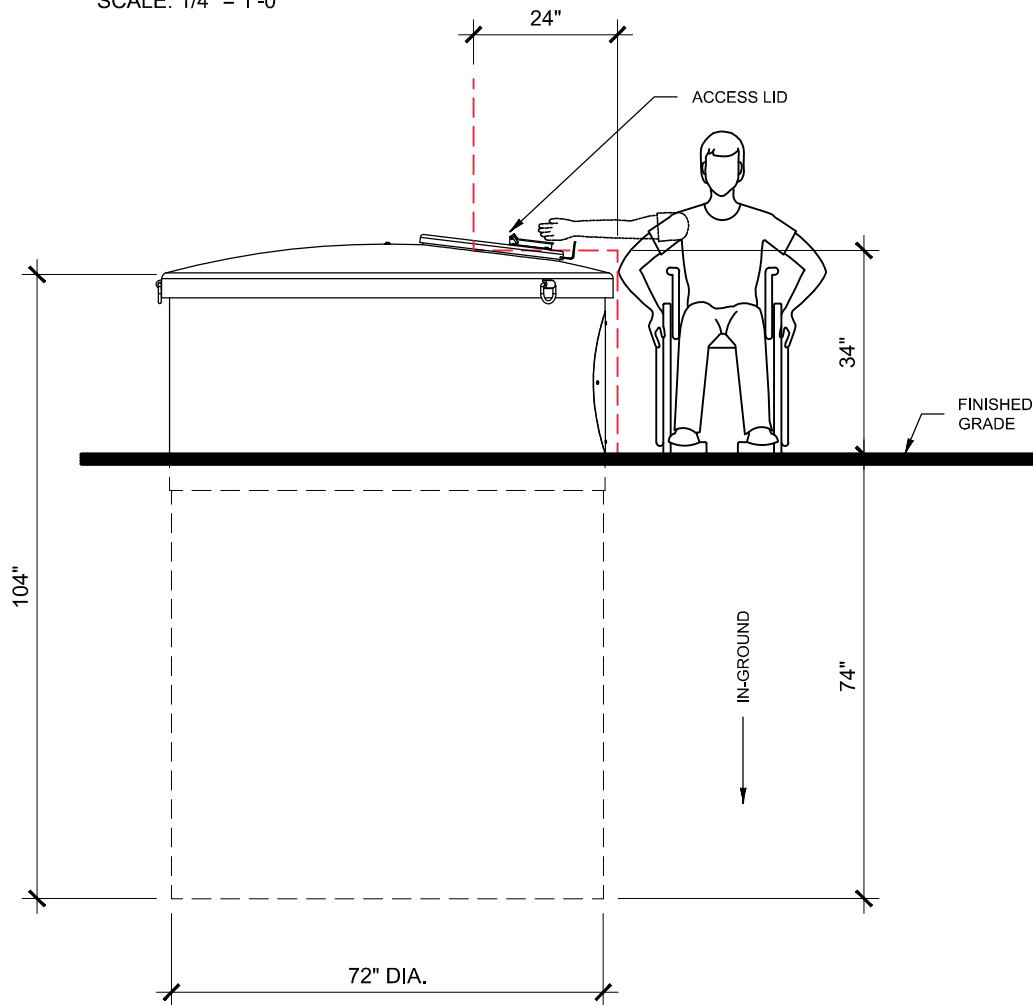
Barrier-Free Design - Wheelchair Accessibility



TOP VIEW
SCALE: 1/4" = 1'-0"



ISOMETRIC VIEW
SCALE: 1/4" = 1'-0"



SIDE VIEW
SCALE: 1/4" = 1'-0"