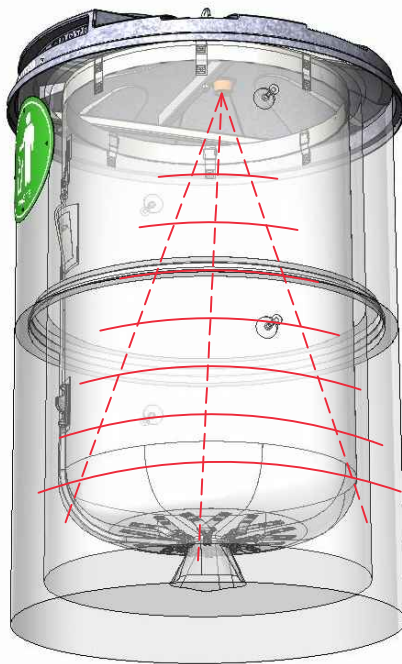


## Sonar sensor Mounting Bracket Details

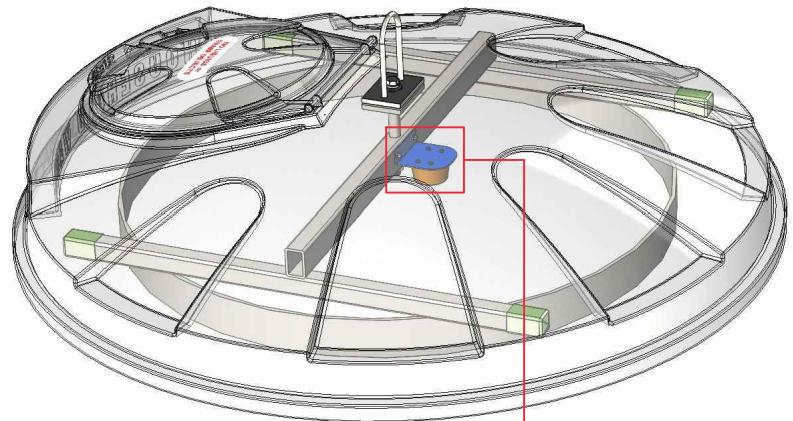
### SUTERA SP-6 CAPACITY SPECIFICATIONS

IN-GROUND PRECAST CONCRETE CONTAINMENT:

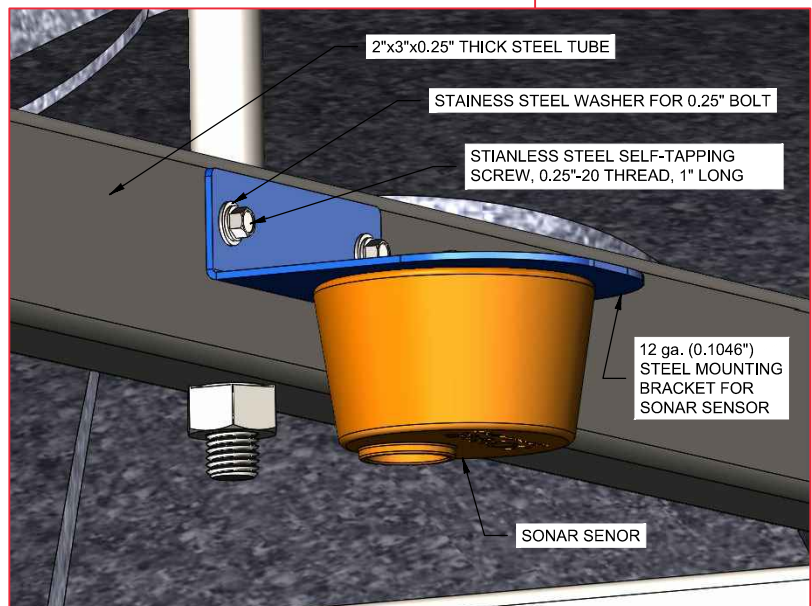
- INSIDE DIMENSIONS: 60" DIA. x 96" DEPTH
- MAX. CAPACITY: 5.82 cu.yds. (4450 liters)



**ISOMETRIC VIEW 1**  
SCALE: NTS



**ISOMETRIC VIEW 2**  
SCALE: NTS



**ENLARGED DETAIL**  
SCALE: NTS