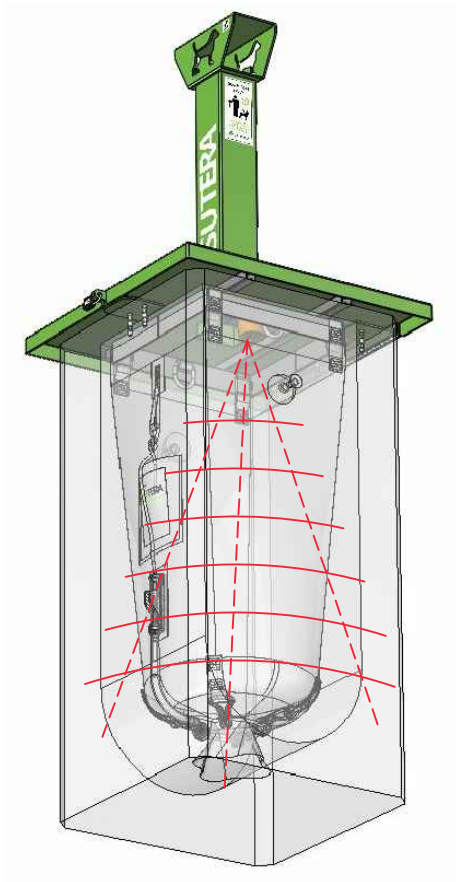


## Sonar sensor Mounting Bracket Details

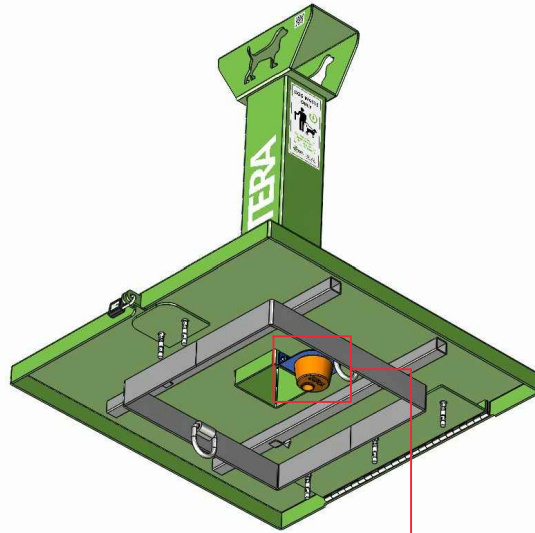
### SUTERA DS-1 CAPACITY SPECIFICATIONS

IN-GROUND PRECAST CONCRETE CONTAINMENT:

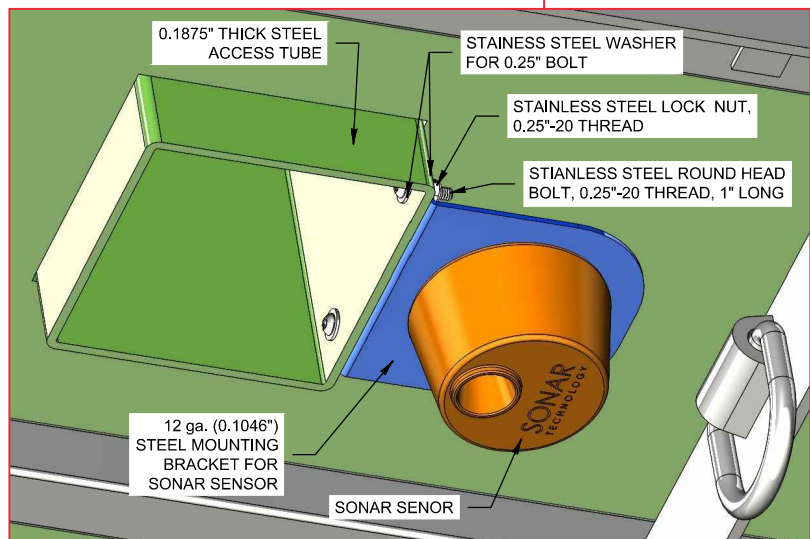
- INSIDE DIMENSIONS: 24" x 24" x 66" DEPTH
- MAX. CAPACITY: 0.71 cu.yds. (543 liters)



**ISOMETRIC VIEW 1**  
SCALE: NTS



**ISOMETRIC VIEW 2**  
SCALE: NTS



**ENLARGED DETAIL**  
SCALE: NTS