

Multiple Unit Installation Instructions



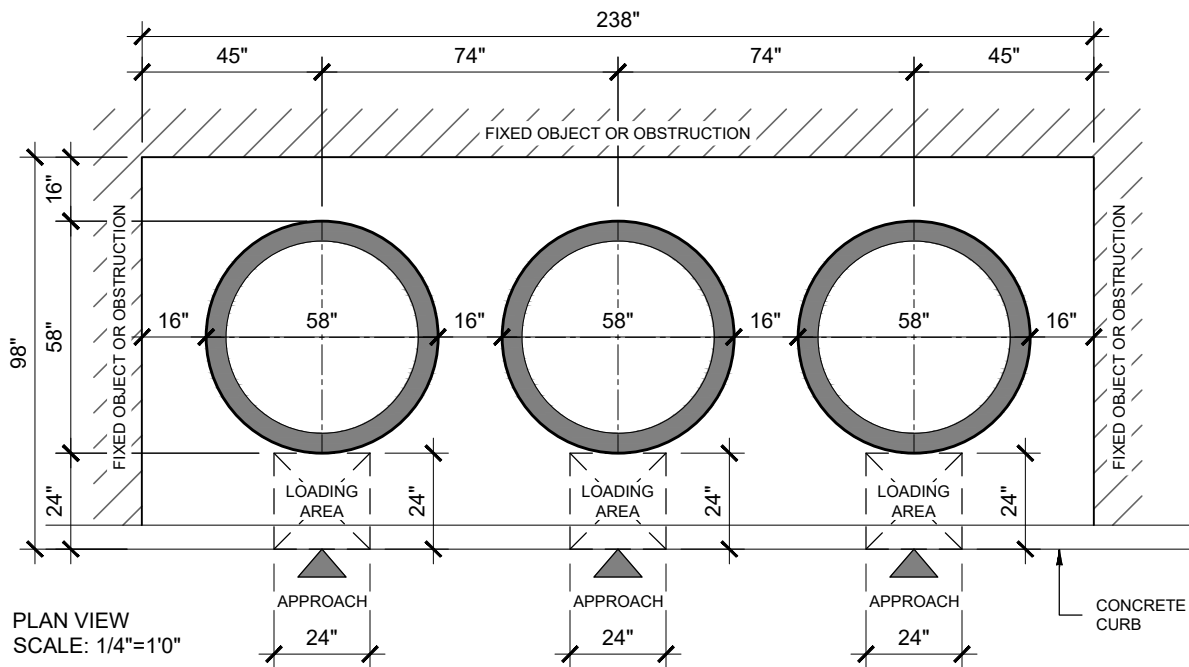
FS-4
Fully In-Ground Steel Lid
4 cu.yd. Capacity



SS-4
Semi In-Ground Steel Lid
4 cu.yd. Capacity



CS-2
Fully In-Ground Used Cooking Oils
2 cu.yd. Capacity



SUTERA FS-4 / SS-4 / CS-2 MULTIPLE UNIT PLACEMENT

MINIMUM RECOMMENDED SPACING BETWEEN UNITS AND PROXIMITY TO FIXED OBJECT / OBSTRUCTION
(UNDERGROUND SERVICES AND FOUNDATION WALL FOOTING PROJECTION TO BE TAKEN INTO CONSIDERATION)