

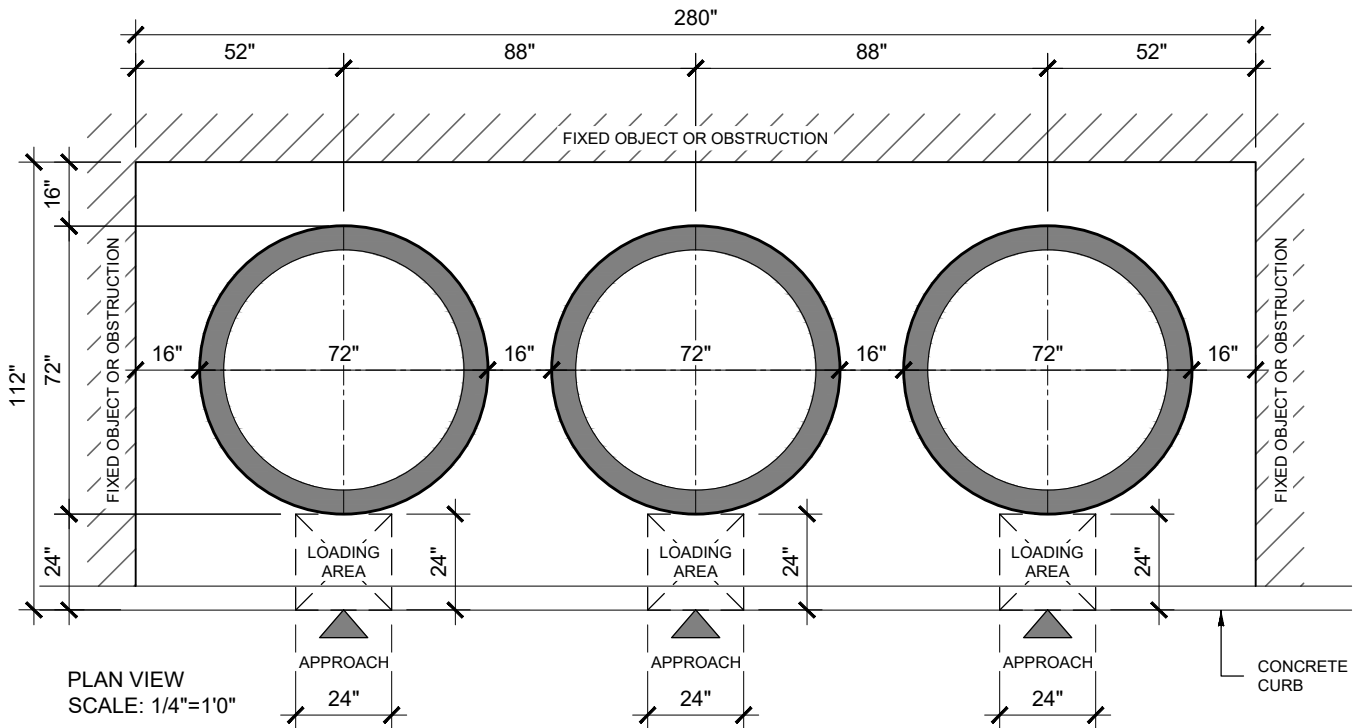
Multiple Unit Installation Instructions



FS-6
Fully In-Ground Steel Lid
6 cu.yd. Capacity

SS-6
Semi In-Ground Steel Lid
6 cu.yd. Capacity

SP-6
Semi In-Ground Plastic Lid
6 cu.yd. Capacity



SUTERA FS-6 / SS-6 / SP-6 MULTIPLE UNIT PLACEMENT

MINIMUM RECOMMENDED SPACING BETWEEN UNITS AND PROXIMITY TO FIXED OBJECT / OBSTRUCTION
(UNDERGROUND SERVICES AND FOUNDATION WALL FOOTING PROJECTION TO BE TAKEN INTO CONSIDERATION)