



# DS-1

Sutera USA LLC - 55 Commerce Center, Greenville SC. 29615 USA  
 Sutera Canada Inc. - 700 Rupert Street, Waterloo ON. N2V 2B5 CANADA

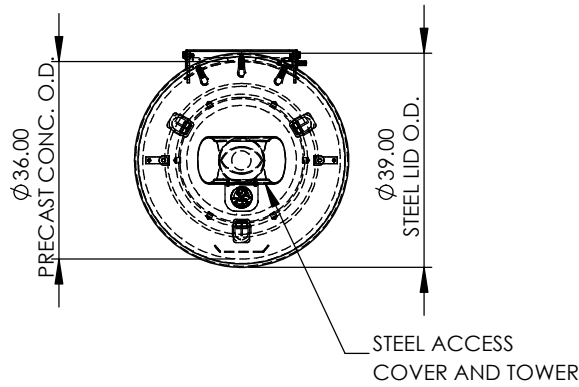
Description	Designed to safely and securely contain waste in-ground, where it is kept cool and reduces odors. The containment is fire proof, animal proof and impact resistant, by utilizing concrete and steel construction. Serviced by vertical lift crane truck.
Materials	<p>Steel Lid:</p> <ul style="list-style-type: none"> <li>- Carbon steel c/w 3 part powder coat finish</li> <li>- All fastening hardware is stainless steel</li> </ul> <p>Precast Concrete Containment Well:</p> <ul style="list-style-type: none"> <li>- High strength, steel reinforced concrete with high sulfate resistant cement</li> <li>- Overall mass exceeds the natural forces of hydrostatic pressure (will not float)</li> <li>- All precast risers and bases contain 2 swift lift hook anchors for lifting</li> </ul> <p>Reusable Containment Bag</p> <ul style="list-style-type: none"> <li>- 18 oz. PVC coated polyester bag c/w 52x75 3.0 mil disposable black liner bag</li> <li>- Heavy duty bag hardware for cinching the bag closed</li> </ul>
Technical Data	<p>Dimensions:</p> <p>Large Steel Lid = 39" (991 mm) Dia. Round, 6" (152 mm) High Dome Steel Lid        Steel Access Lid Opening = 3.5" dia. (89 mm)        Steel Gauge Thickness = 0.1875" (5 mm)        Access height above finished grade = 42" (1067 mm)        Precast Concrete Inside Dis. = 24" (610 mm), Outside Dis. = 33" (838 mm)        Precast Concrete Inside Depth = 65" (1651 mm), Overall Height = 71" (1803 mm)</p> <p>Weights:</p> <p>Steel Lid = 150 lbs (68 kg), Steel Frame = 45 lbs (20 kg)        Precast Concrete: Monobase = 3397 lbs (1541 kg)</p> <p>Volume:</p> <p>Containment Capacity = 0.71 cu.yds (543 liters)</p>
Maintenance Instructions	<p>Spray all exposed steel components with Krown Rust Proofing &amp; Lubricant every 12 months. Do not wipe off immediately, allow product to penetrate for 24 hrs.</p> <p>Spray White Lithium Grease to the following locations every three months, more frequently in colder weather.</p> <ul style="list-style-type: none"> <li>- key hole of locking mechanism</li> <li>- all moving components(hinges, pivot points)</li> </ul> <p>Note: White Lithium Grease does not freeze in cold temperatures</p> <p>Entire Exterior of unit should be kept clean with soap and water, clean as required.</p>

For more information about this product visit [www.sutera-inground.com](http://www.sutera-inground.com) or email [contact@sutera-inground.com](mailto:contact@sutera-inground.com)

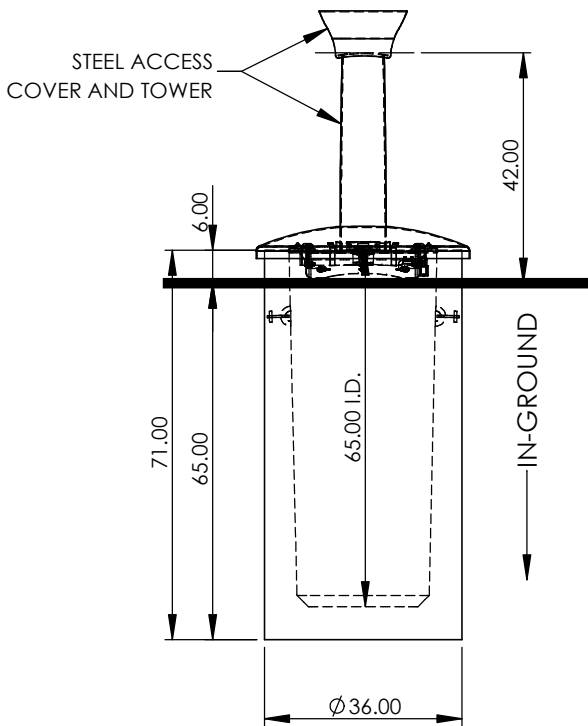
Sutera USA LLC - 55 Commerce Center, Greenville SC. 29615 USA  
Sutera Canada Inc. - 700 Rupert Street, Waterloo ON. N2V 2B5 CANADA

Top View

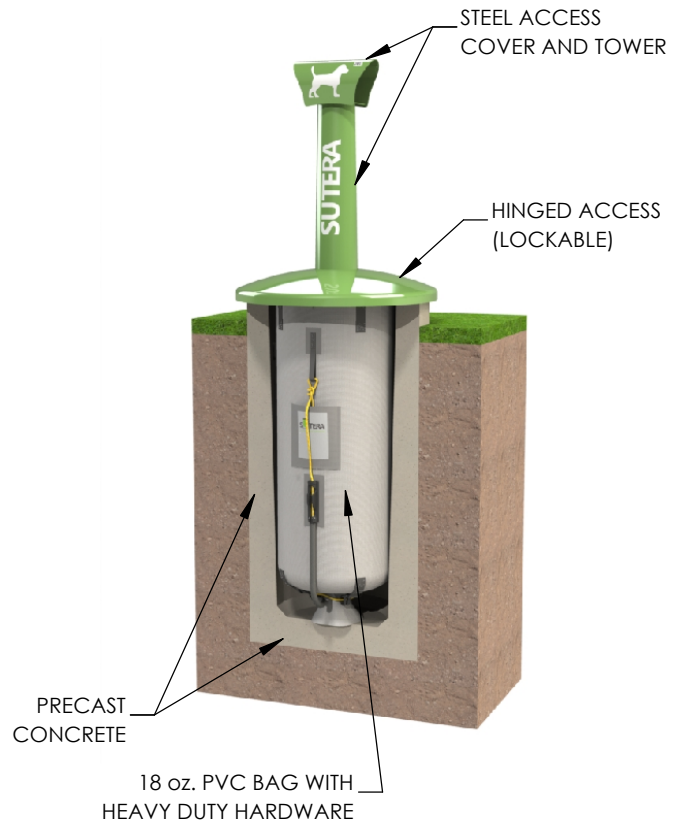
NOTE: ALL DIMENSIONS SHOWN ARE IN INCHES UNLESS OTHERWISE SPECIFIED



Front View



Section View



For more information about this product visit [www.sutera-inground.com](http://www.sutera-inground.com) or email [contact@sutera-inground.com](mailto:contact@sutera-inground.com)