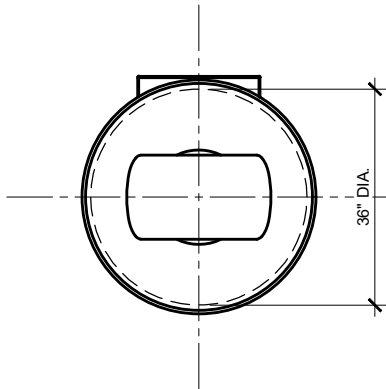


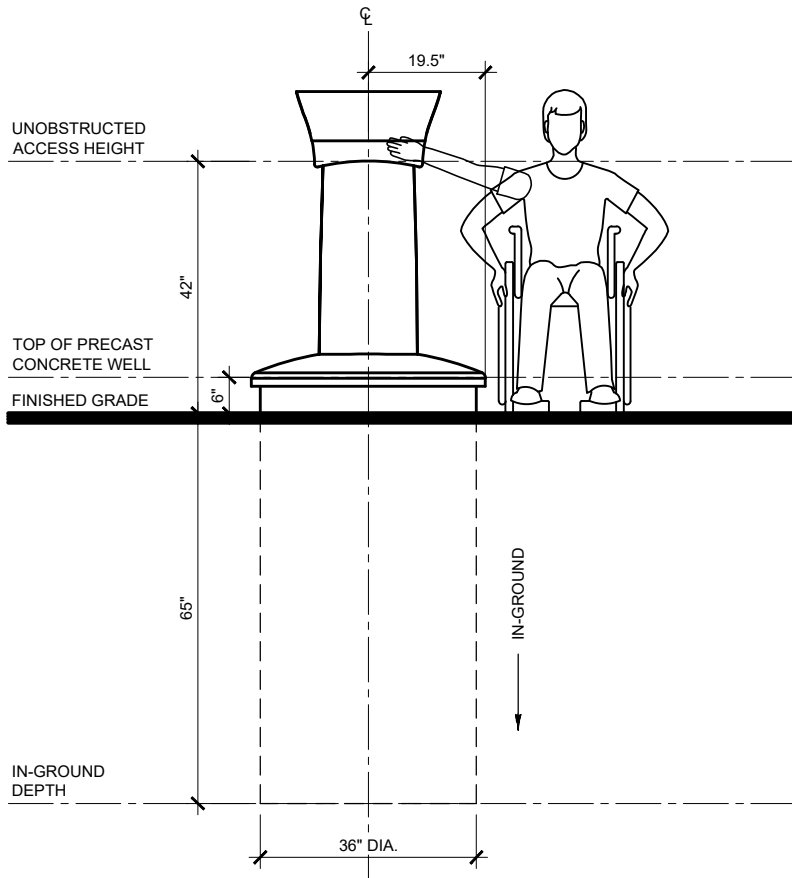
## Barrier-Free Design - Wheelchair Accessibility



**TOP VIEW**  
SCALE 3/8" = 1'-0"



**ISOMETRIC VIEW**  
SCALE 3/8" = 1'-0"



**FRONT VIEW**  
SCALE 3/8" = 1'-0"