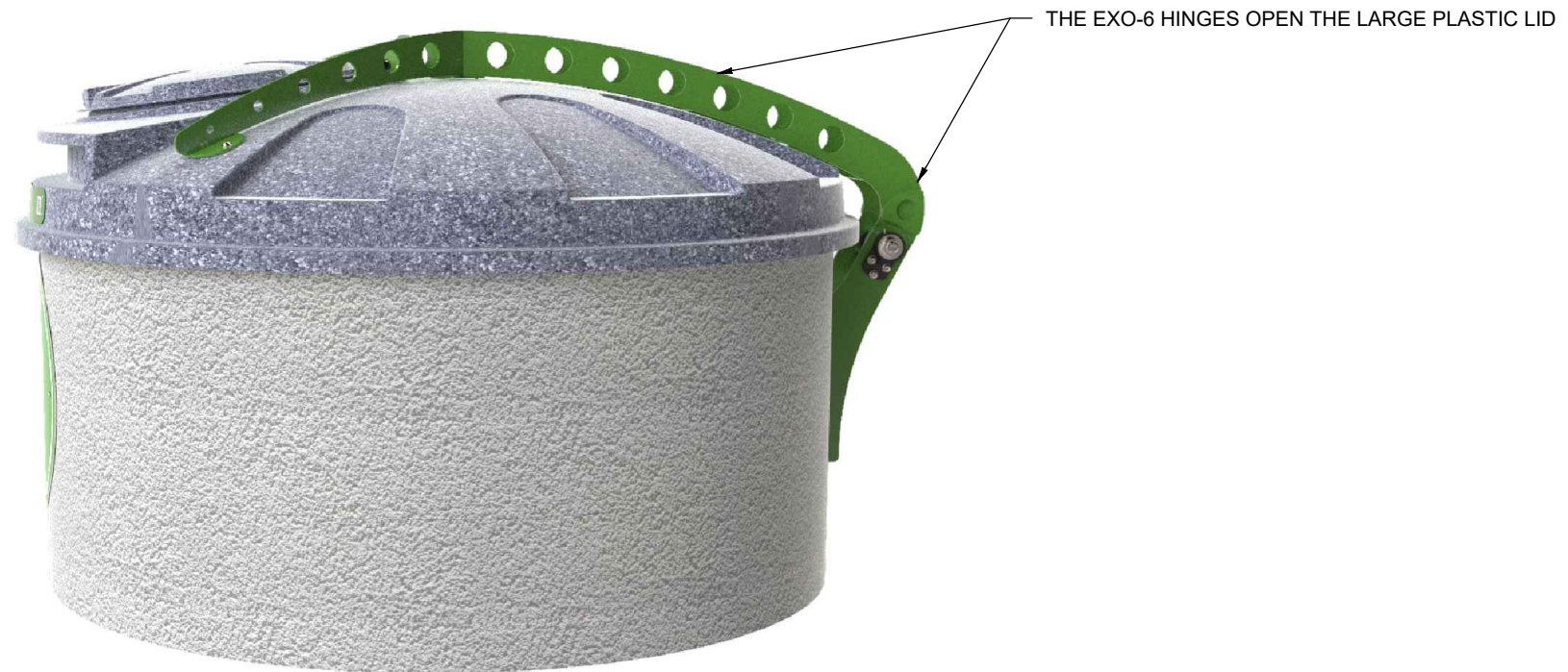




# INSTALLATION INSTRUCTIONS FOR SUTERA EXO-6

EXO-6 SEMI IN-GROUND PLASTIC LID 6 cu.yd. CONTAINMENT CAPACITY





#### INSTALLATION INSTRUCTIONS

##### REQUIRED TOOLS, EQUIPMENT, MACHINERY:

- CRANE
- PENCIL
- MEASURING TAPE
- BUILDERS LEVEL / LASER LEVEL
- HAMMER DRILL
- CONCRETE DRILL BIT 1/2" DIA.
- RATCHET
- SOCKET 3/4"
- SOCKET EXTENSION

##### STEP No.1 - LAYOUT, DRILL AND INSTALL FIRST CONCRETE WEDGE ANCHOR (SEE PG.2)

- a. DETERMINE BACK OF UNIT BASED ON SITE ORIENTATION.
- b. MEASURE AND LAYOUT FIRST HOLE LOCATION AS PER DIMENSIONS SHOWN ON DRAWING.
- c. DRILL 1/2" DIA. HOLE x 3-3/4" DEPTH.
- d. INSTALL 1/2" x 3-3/4" CONCRETE WEDGE ANCHOR INTO HOLE, LEAVING IT 3/8" OFF THE FACE OF THE PRECAST CONCRETE.

##### STEP No.2 - INSTALL EXO-6 HINGE c/w PLASTIC LID AND BAG FRAME (SEE PG.3)

- a. WITH THE USE OF TWO PERSONS OR A CRANE, LIFT THE EXO-6 HINGE WITH PLASTIC LID ATTACHED, LOWERING THE SLOTTED HOLE ONTO THE CONCRETE WEDGE ANCHOR.
- b. INSTALL BAG FRAME BY LIFTING IT INTO THE PRECAST CONCRETE WELL WITH THE USE OF A CRANE.
- c. NOTE, THE REUSABLE PVC BAG SHOULD BE FASTENED TO THE BAG FRAME WITH QUICK LINKS AT THIS POINT.

##### STEP No.3 - ADJUST ALIGNMENT AS NEEDED (SEE PG.4)

- a. ONCE THE EXO-6 HINGE IS SLOTTED ONTO THE CONCRETE WEDGE ANCHOR, SLIGHTLY TIGHTEN THE NUT TO SECURE IN PLACE, DO NOT OVER TIGHTEN.
- b. CLOSE THE LID AND ENSURE ALIGNMENT IS CORRECT.
- c. ADJUST ALIGNMENT AS NEEDED.

##### STEP No.4 - DRILL AND INSTALL REMAINING CONCRETE ANCHORS (SEE PG.5)

- a. DRILL AND INSTALL REMAINING TWO (2) 1/2" DIA. x 3-3/4" HOLES.
- b. INSTALL 1/2" x 3-3/4" CONCRETE WEDGE ANCHORS.
- c. SECURE AND TIGHTEN ALL THREE (3) NUTS.

##### STEP No.5 - ENSURE PROPER OPERATION & INSTALL DISPOSABLE LINER BAG (SEE PG.6)

- a. TEST OPEN CLOSED POSITIONS ALONG WITH ROTATION OF HINGE TO ENSURE PROPER OPERATION.
- b. ENSURE LID DOES NOT INTERFERE WITH BAG FRAME.
- c. INSTALL DISPOSABLE LINER BAG BY INSERTING AND PIERCING BAG ONTO HOOKS.

##### STEP No.6 - LOCKING THE LID IN BOTH CLOSED & OPEN POSITIONS (SEE PG.7)

- a. HOLES ALIGN FOR PADLOCK TO LOCK LID IN CLOSED POSITION.
- b. HOLES ALIGN FOR PADLOCK TO LOCK LID IN OPEN POSITION.
- c. EITHER SIDE OF THE HINGE CAN BE USED TO INSERT A STANDARD PADLOCK.

INSTALLATION IS NOW COMPLETE



## INSTALLATION INSTRUCTIONS

# EXO-6

NOTE:  
ALL DIMENSIONS ARE  
IN INCHES UNLESS  
OTHERWISE SPECIFIED

# LAYOUT, DRILL AND INSTALL FIRST CONCRETE WEDGE ANCHOR

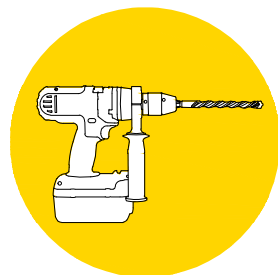
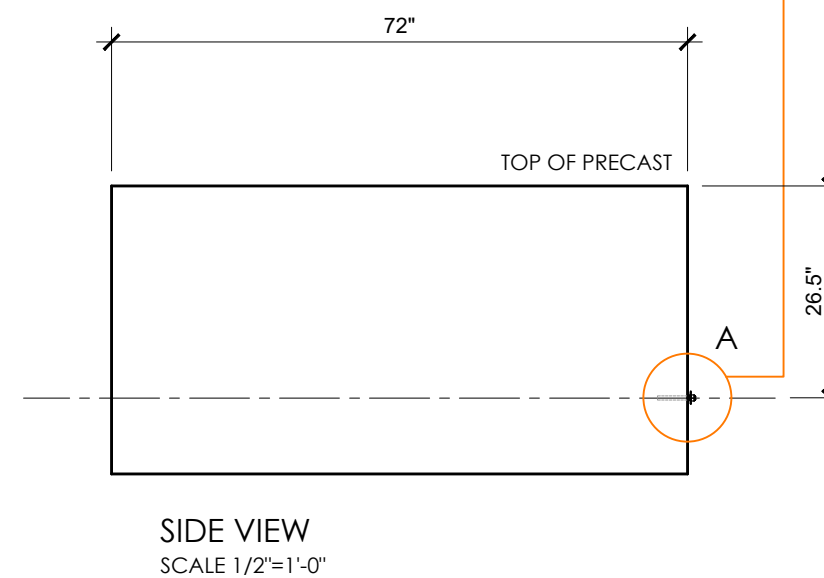
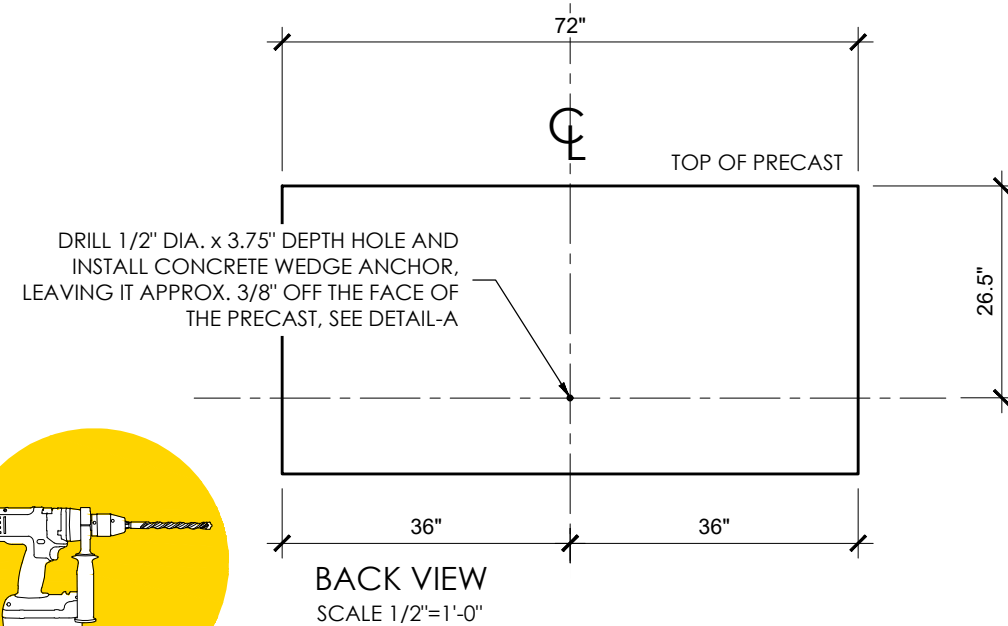
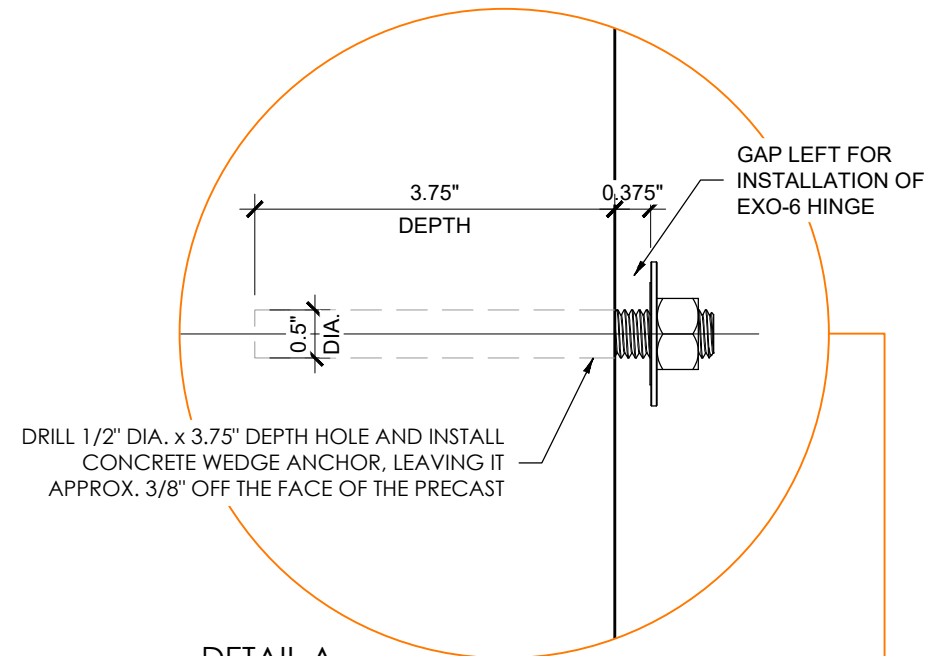
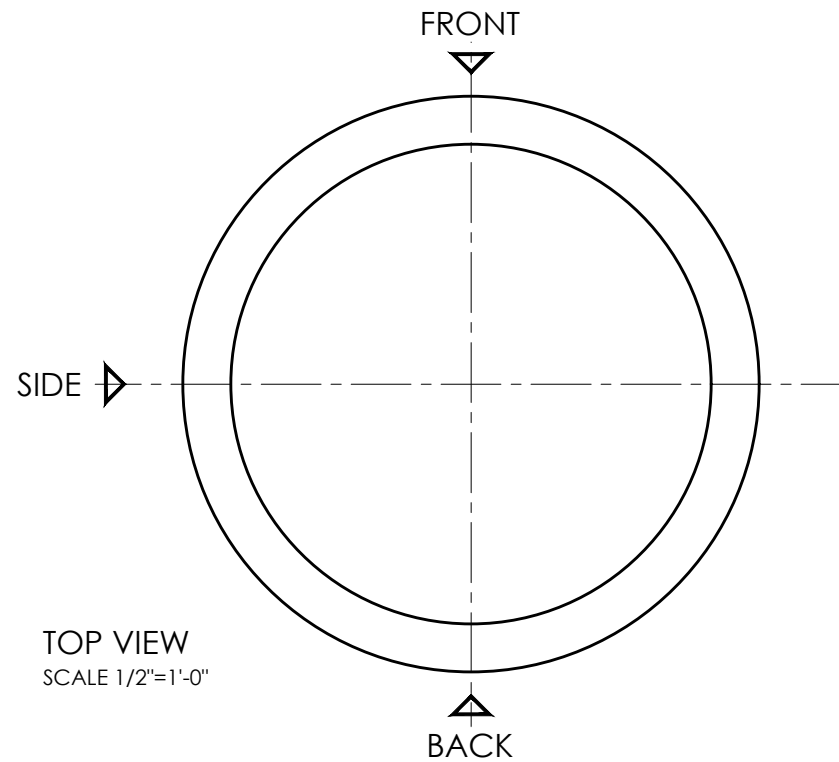
## STEP No.1



### INSTALLATION INSTRUCTIONS

# EXO-6

- STEP No.1 - LAYOUT, DRILL AND INSTALL FIRST CONCRETE WEDGE ANCHOR
- DETERMINE BACK OF UNIT BASED ON SITE ORIENTATION.
  - MEASURE AND LAYOUT FIRST HOLE LOCATION AS PER DIMENSIONS SHOWN ON DRAWING.
  - DRILL 1/2" DIA. HOLE x 3-3/4" DEPTH.
  - INSTALL 1/2" x 3-3/4" CONCRETE WEDGE ANCHOR INTO HOLE, LEAVING IT 3/8" OFF THE FACE OF THE PRECAST CONCRETE.



NOTE:  
ALL DIMENSIONS ARE IN INCHES UNLESS OTHERWISE SPECIFIED

# INSTALL EXO-6 HINGE c/w PLASTIC LID AND BAG FRAME

## STEP No.2



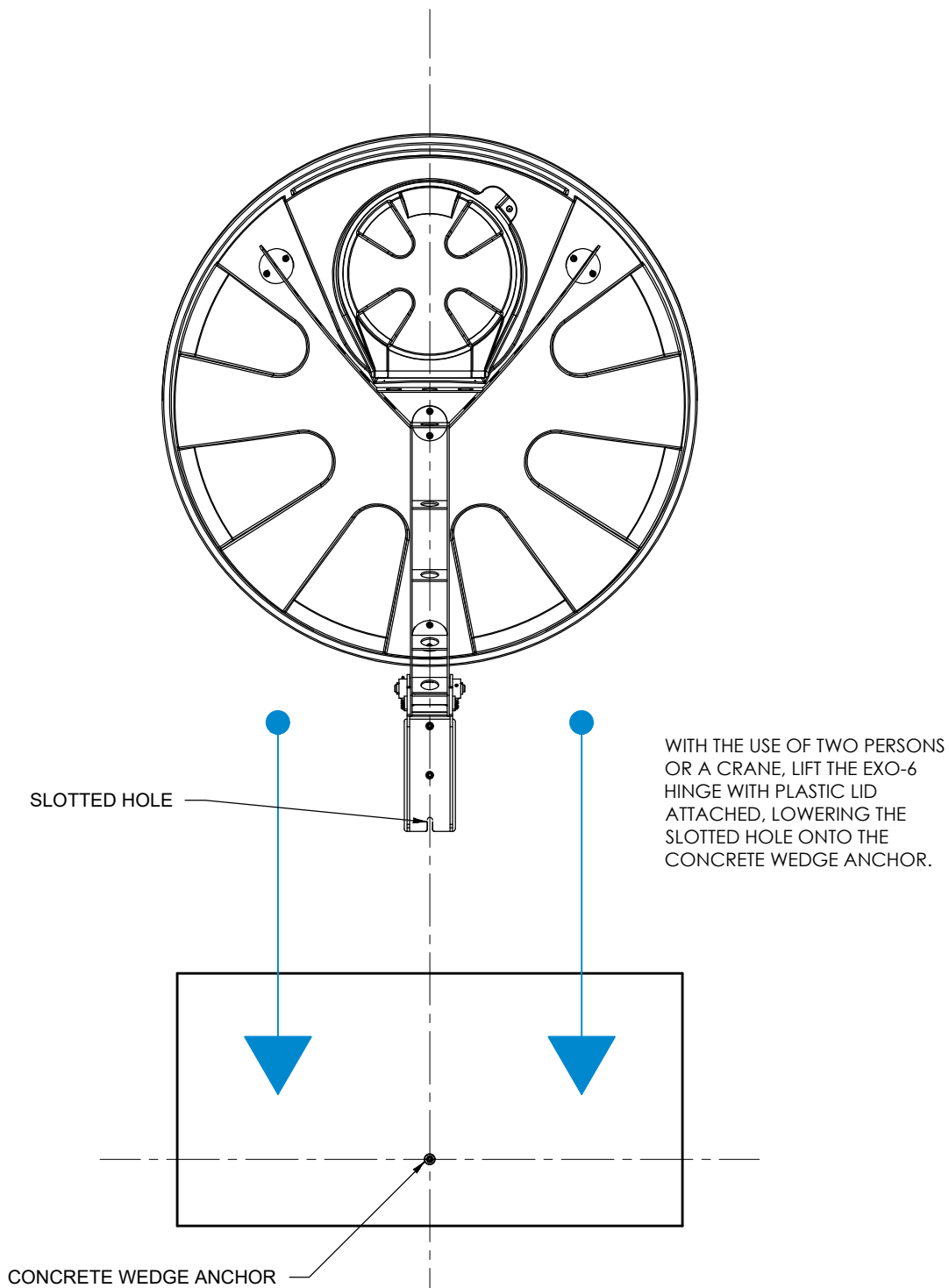
### INSTALLATION INSTRUCTIONS

# EXO-6

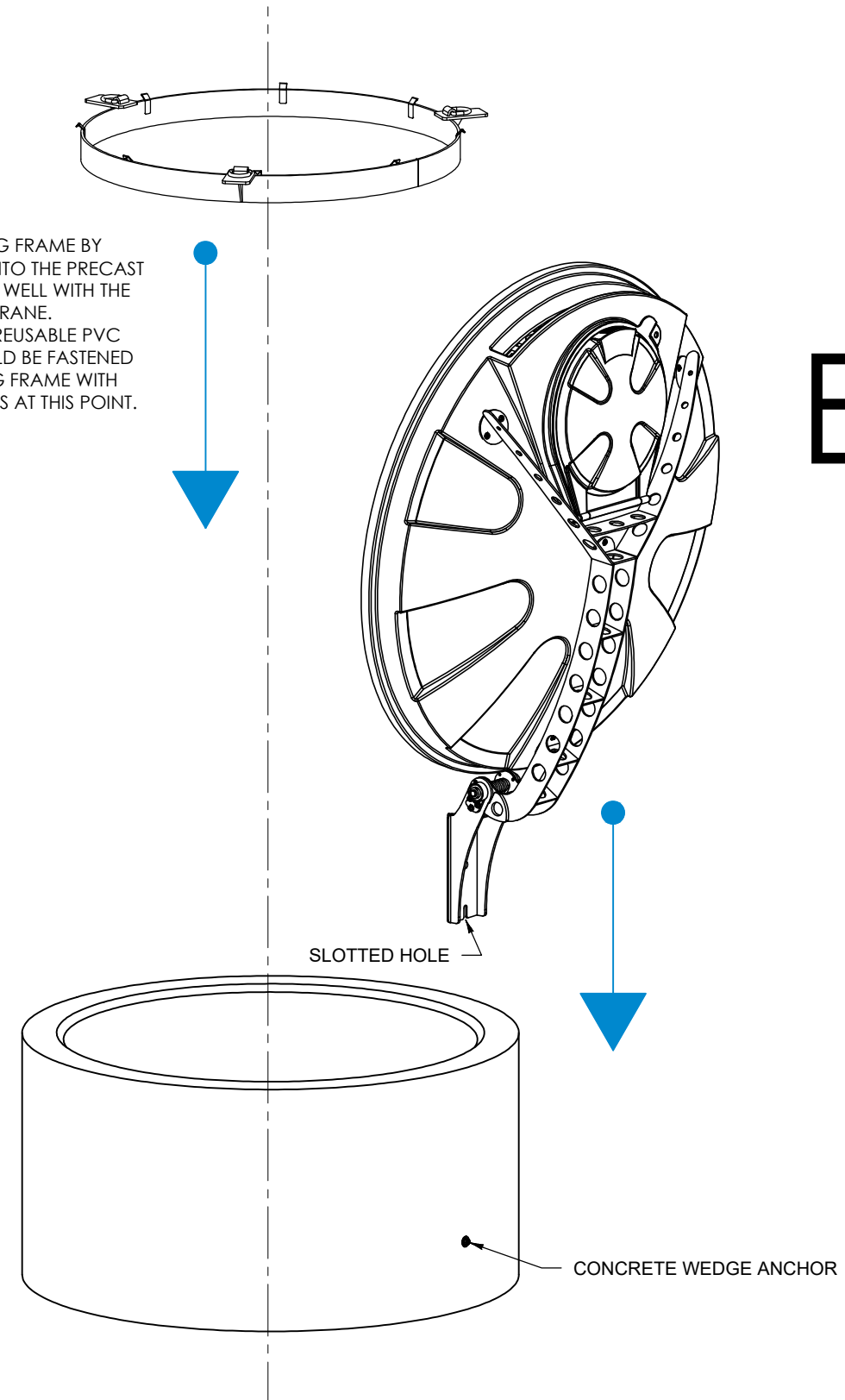
#### STEP No.2 - INSTALL EXO-6 HINGE c/w PLASTIC LID AND BAG FRAME

- a. WITH THE USE OF TWO PERSONS OR A CRANE, LIFT THE EXO-6 HINGE WITH PLASTIC LID ATTACHED, LOWERING THE SLOTTED HOLE ONTO THE CONCRETE WEDGE ANCHOR.
- b. INSTALL BAG FRAME BY LIFTING IT INTO THE PRECAST CONCRETE WELL WITH THE USE OF A CRANE.
- c. NOTE, THE REUSABLE PVC BAG SHOULD BE FASTENED TO THE BAG FRAME WITH QUICK LINKS AT THIS POINT.

NOTE:  
ALL DIMENSIONS ARE  
IN INCHES UNLESS  
OTHERWISE SPECIFIED



INSTALL BAG FRAME BY LIFTING IT INTO THE PRECAST CONCRETE WELL WITH THE USE OF A CRANE.  
NOTE, THE REUSABLE PVC BAG SHOULD BE FASTENED TO THE BAG FRAME WITH QUICK LINKS AT THIS POINT.



# ADJUST ALIGNMENT AS NEEDED

## STEP No.3

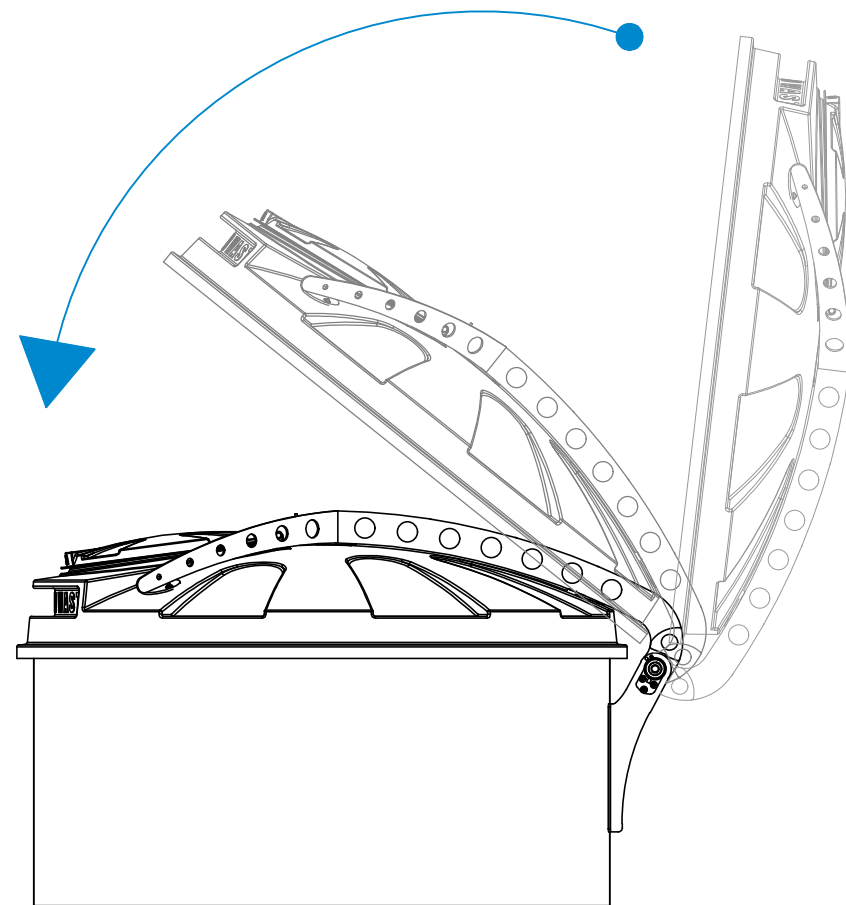


INSTALLATION  
INSTRUCTIONS

# EXO-6

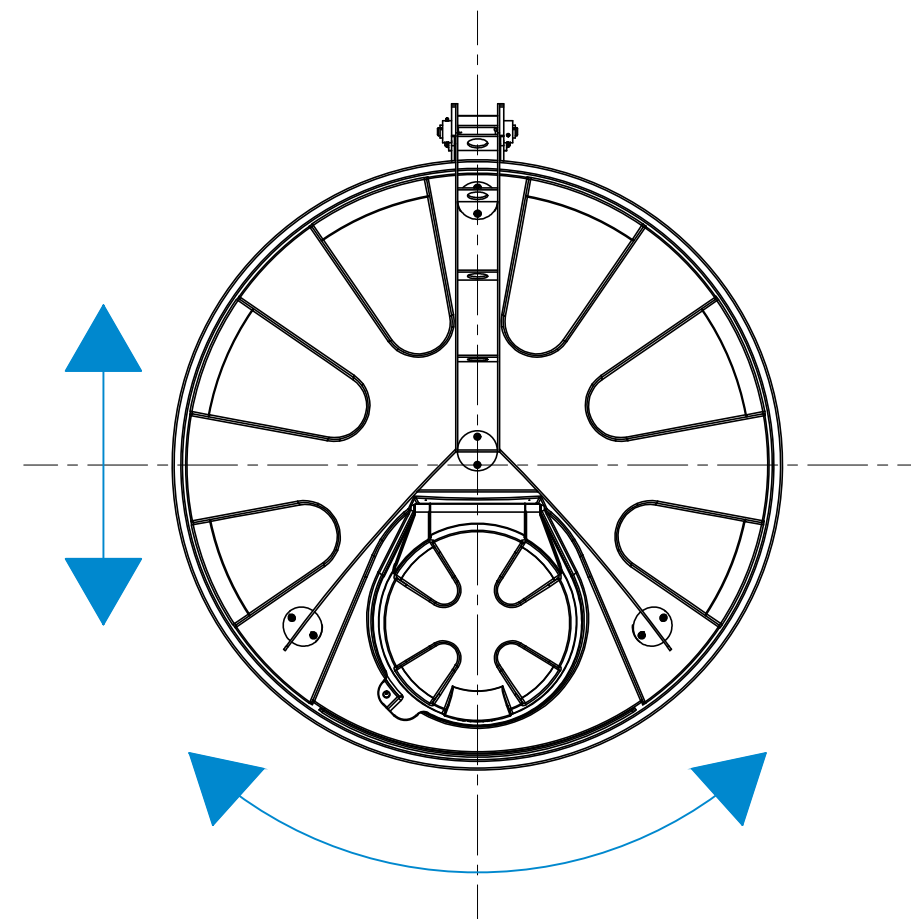
STEP No.3 - ADJUST ALIGNMENT AS NEEDED

- ONCE THE EXO-6 HINGE IS SLOTTED ONTO THE CONCRETE WEDGE ANCHOR, SLIGHTLY TIGHTEN THE NUT TO SECURE IN PLACE, DO NOT OVER TIGHTEN.
- CLOSE THE LID AND ENSURE ALIGNMENT IS CORRECT.
- ADJUST ALIGNMENT AS NEEDED.



ONCE THE EXO-6 HINGE IS SLOTTED ONTO THE CONCRETE WEDGE ANCHOR, SLIGHTLY TIGHTEN THE NUT TO SECURE IN PLACE, DO NOT OVER TIGHTEN.

CLOSE THE LID AND ENSURE ALIGNMENT IS CORRECT.



ADJUST ALIGNMENT AS NEEDED.

NOTE:  
ALL DIMENSIONS ARE  
IN INCHES UNLESS  
OTHERWISE SPECIFIED

pg. 4 of 7

# DRILL AND INSTALL REMAINING CONCRETE ANCHORS

## STEP No.4

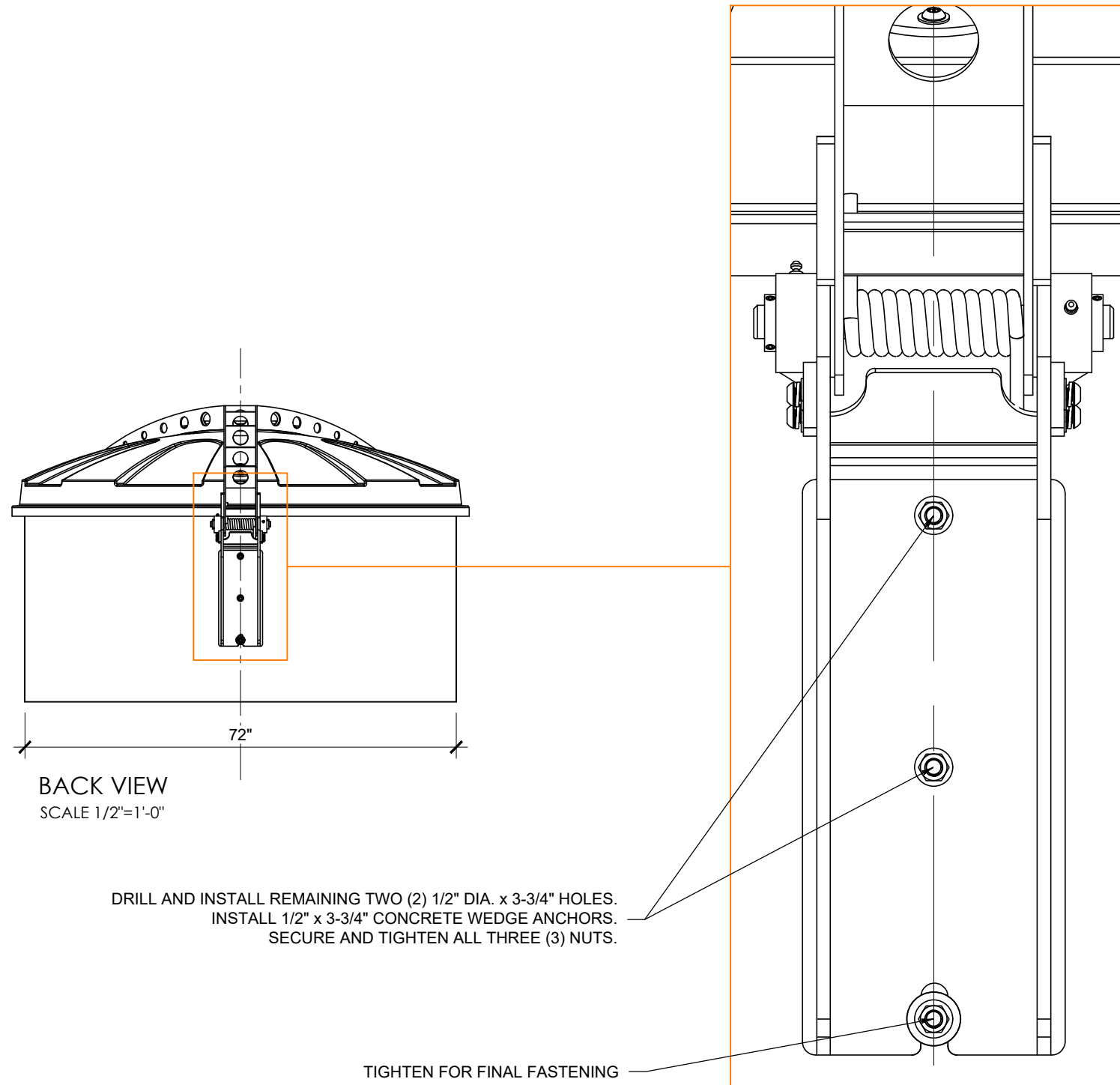


INSTALLATION  
INSTRUCTIONS

# EXO-6

STEP No.4 - DRILL AND INSTALL REMAINING  
CONCRETE ANCHORS

- DRILL AND INSTALL REMAINING TWO (2) 1/2" DIA. x 3-3/4" HOLES.
- INSTALL 1/2" x 3-3/4" CONCRETE WEDGE ANCHORS.
- SECURE AND TIGHTEN ALL THREE (3) NUTS.



NOTE:  
ALL DIMENSIONS ARE  
IN INCHES UNLESS  
OTHERWISE SPECIFIED

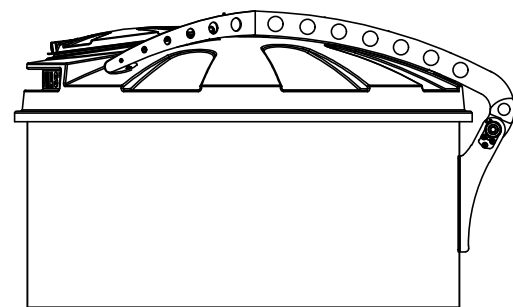
# ENSURE PROPER OPERATION & INSTALL DISPOSABLE LINER BAG

## STEP No.5

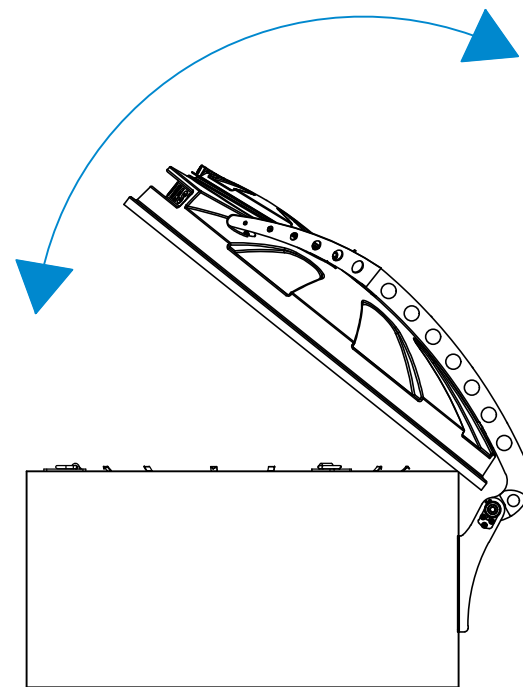


INSTALLATION  
INSTRUCTIONS

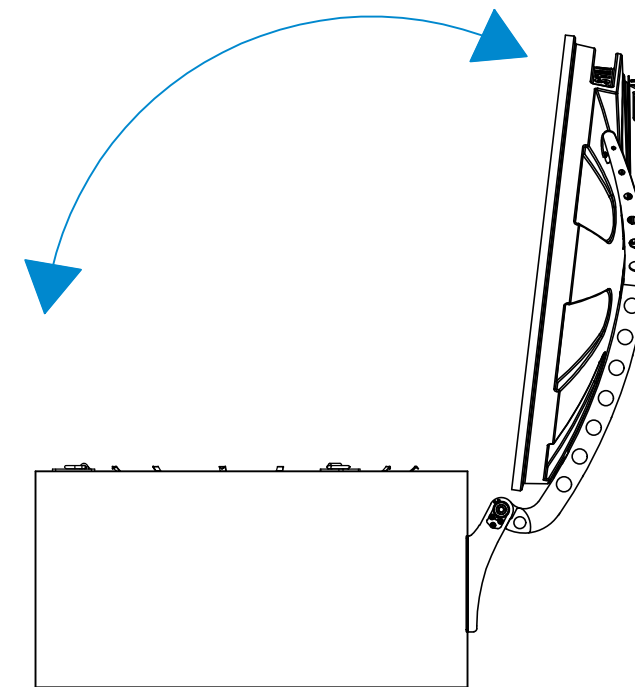
# EXO-6



SIDE VIEW  
SCALE 3/8"=1'-0"



SIDE VIEW  
SCALE 3/8"=1'-0"



SIDE VIEW  
SCALE 3/8"=1'-0"

TEST OPEN CLOSED POSITION ALONG WITH ROTATION OF HINGE TO ENSURE PROPER OPERATION. ALSO CHECK TO MAKE SURE THE LID DOES NOT INTERFERE WITH THE BAG FRAME. ONCE COMPLETE, INSTALL DISPOSABLE LINER BAG BY INSERTING AND PIERCING BAG ONTO HOOKS.

- STEP No.5 - ENSURE PROPER OPERATION & INSTALL DISPOSABLE LINER BAG
- TEST OPEN CLOSED POSITIONS ALONG WITH ROTATION OF HINGE TO ENSURE PROPER OPERATION.
  - ENSURE LID DOES NOT INTERFERE WITH BAG FRAME.
  - INSTALL DISPOSABLE LINER BAG BY INSERTING AND PIERCING BAG ONTO HOOKS.

NOTE:  
ALL DIMENSIONS ARE  
IN INCHES UNLESS  
OTHERWISE SPECIFIED

# LOCKING THE LID IN BOTH CLOSED & OPEN POSITIONS

## STEP No.6

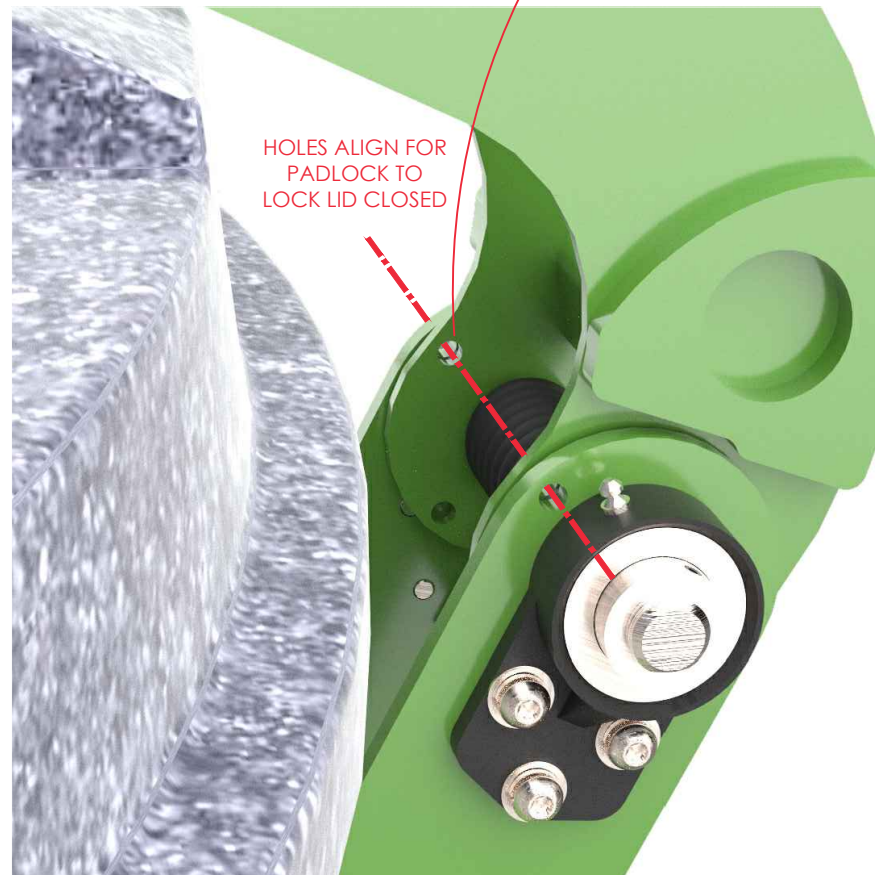


INSTALLATION  
INSTRUCTIONS

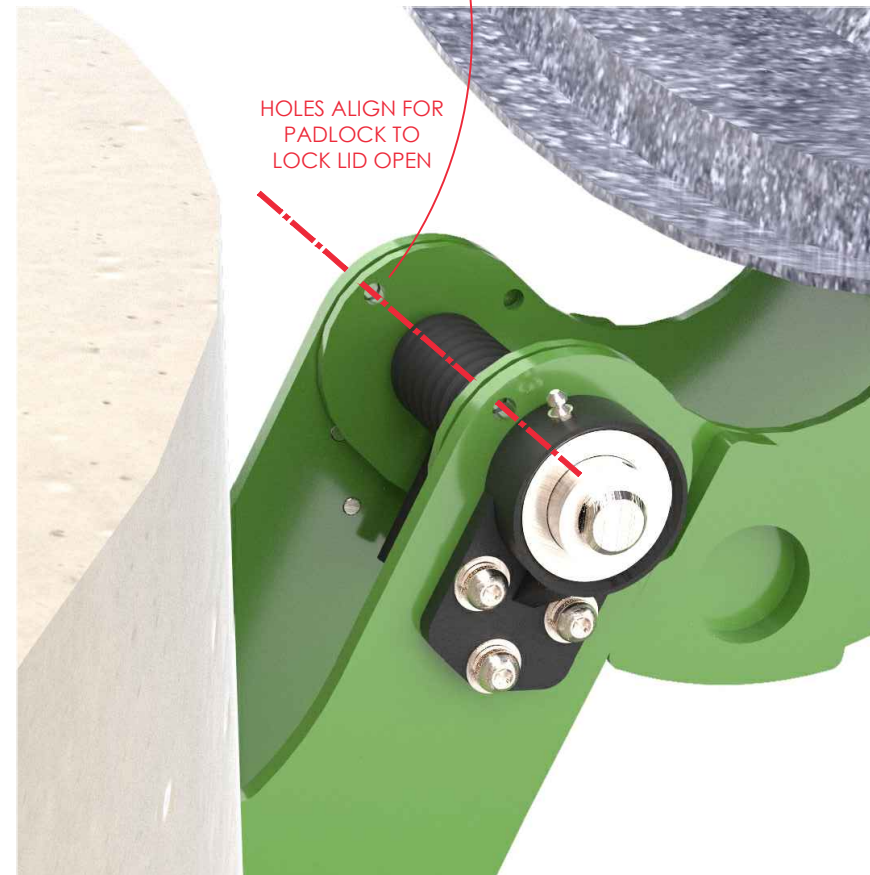
# EXO-6

STEP No.6 - LOCKING THE LID IN BOTH  
CLOSED & OPEN POSITIONS

- HOLES ALIGN FOR PADLOCK TO  
LOCK LID IN CLOSED POSITION.
- HOLES ALIGN FOR PADLOCK TO  
LOCK LID IN OPEN POSITION.
- EITHER SIDE OF THE HINGE CAN BE  
USED TO INSERT A STANDARD  
PADLOCK.



LID IN CLOSED POSITION



LID IN OPEN POSITION



NOTE:  
ALL DIMENSIONS ARE  
IN INCHES UNLESS  
OTHERWISE SPECIFIED





ENSURE THE FOLLOWING IS DONE PRIOR TO COMPLETION:

- ENSURE ALL DEBRIS AND WASTE IS REMOVED CAUSED BY INSTALLATION.
- WIPE CLEAN ENTIRE UNIT WITH CLEAN RAG AND MILD DETERGENT.

# INSTALLATION IS COMPLETE