



FHS-1

Sutera USA LLC - 55 Commerce Center, Greenville SC. 29615 USA
 Sutera Canada Inc. - 700 Rupert Street, Waterloo ON. N2V 2B5 CANADA

| | |
|--------------------------|---|
| Description | Designed to safely and securely contain fish waste in-ground, where it is kept cool and reduces odors. The containment is fire proof, animal proof and impact resistant, by utilizing concrete and steel construction. Serviced by vertical lift crane truck. |
| Materials | <p>Steel Lid:</p> <ul style="list-style-type: none"> - Carbon steel c/w 3 part powder coat finish - All fastening hardware is stainless steel <p>Precast Concrete Containment Well:</p> <ul style="list-style-type: none"> - High strength, steel reinforced concrete with high sulfate resistant cement - Overall mass exceeds the natural forces of hydrostatic pressure (will not float) - All precast risers and bases contain 2 swift lift hook anchors for lifting <p>Reusable Containment Bag</p> <ul style="list-style-type: none"> - 18 oz. PVC coated polyester bag c/w 52x75 3.0 mil disposable black liner bag - Heavy duty bag hardware for cinching the bag closed |
| Technical Data | <p>Dimensions:</p> <p>Large Steel Lid = 38.5" square (978 mm), Cross break steel lid Steel Access Lid Opening = 24" x 12" (610 mm x 305 mm) Access height above finished grade = 36" (914 mm) Precast Concrete Inside Dis. = 24" (610 mm), Outside Dis. = 33" (838 mm) Precast Concrete Inside Depth = 60" (1524 mm), Overall Height = 66" (1676 mm)</p> <p>Weights:</p> <p>Steel Lid = 310 lbs (140 kg), Steel Frame = 45 lbs (20 kg) Precast Concrete: Monobase = 3474 lbs (1576 kg)</p> <p>Volume:</p> <p>Containment Capacity = 0.71 cu.yds (543 liters)</p> |
| Maintenance Instructions | <p>Spray all exposed steel components with Krown Rust Proofing & Lubricant every 12 months. Do not wipe off immediately, allow product to penetrate for 24 hrs.</p> <p>Spray White Lithium Grease to the following locations every three months, more frequently in colder weather.</p> <ul style="list-style-type: none"> - key hole of locking mechanism of slam latch assembly - underside of push pad of the slam latch assembly - all moving components (slam latch, hinges, pivot points) <p>Note: White Lithium Grease does not freeze in cold temperatures</p> <p>Entire Exterior of unit should be kept clean with soap and water, clean as required.</p> |

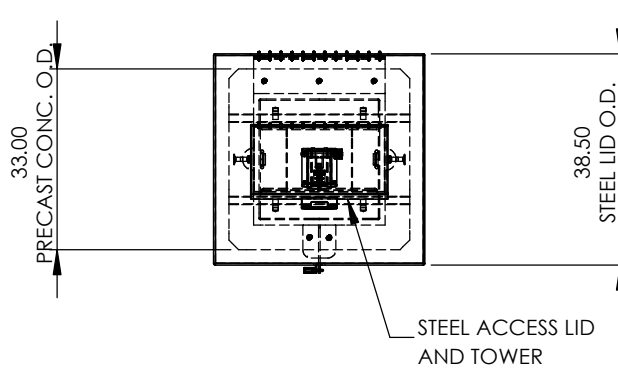
For more information about this product visit www.sutera-inground.com or email contact@sutera-inground.com

FHS-1

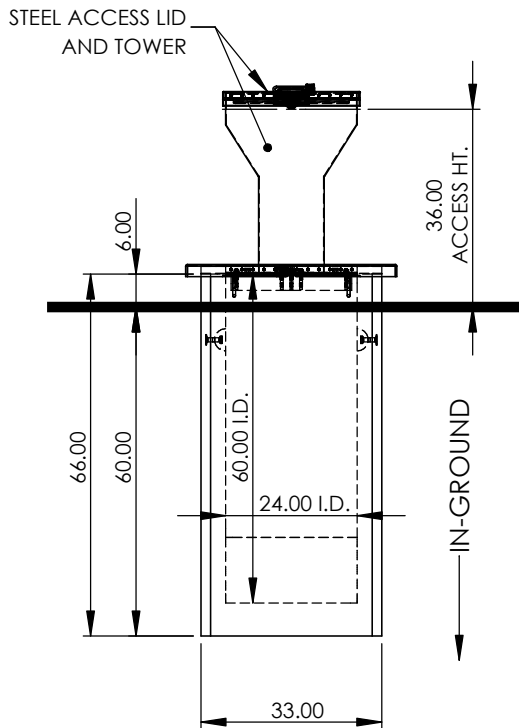
Sutera USA LLC - 55 Commerce Center, Greenville SC. 29615 USA
Sutera Canada Inc. - 700 Rupert Street, Waterloo ON. N2V 2B5 CANADA

Top View

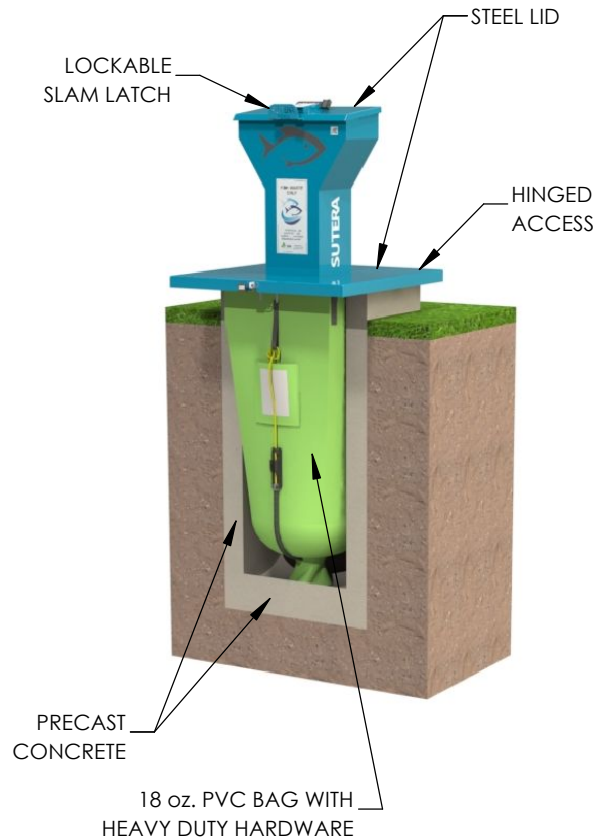
NOTE: ALL DIMENSIONS SHOWN ARE IN INCHES UNLESS OTHERWISE SPECIFIED



Front View



Section View



For more information about this product visit www.sutera-inground.com or email contact@sutera-inground.com