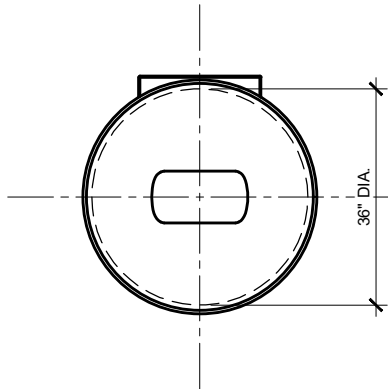


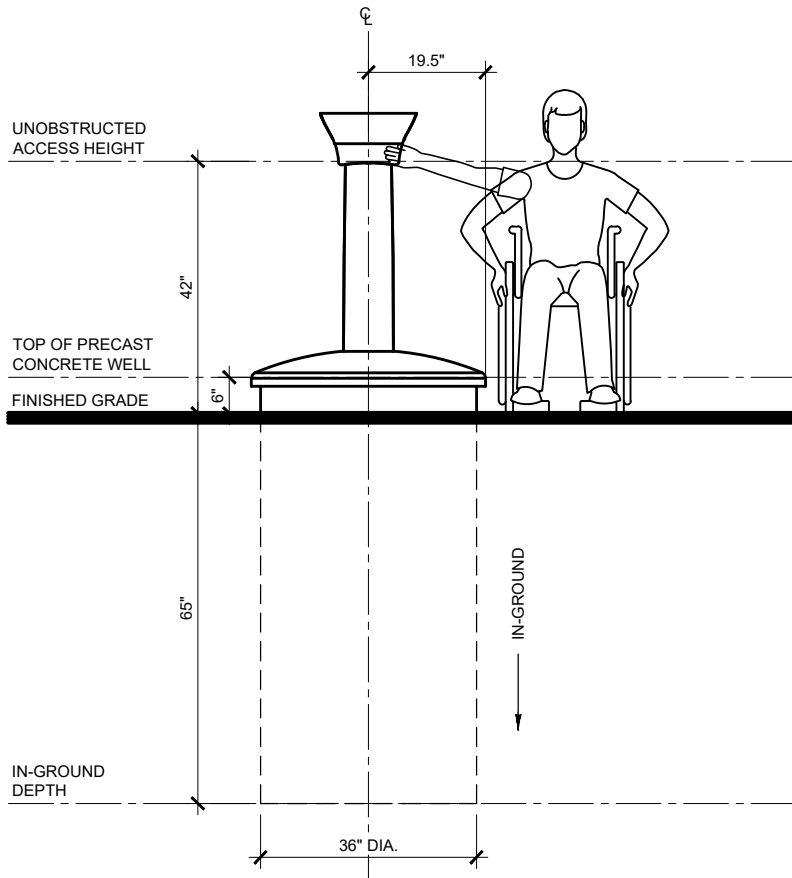
Barrier-Free Design - Wheelchair Accessibility



TOP VIEW
SCALE 3/8" = 1'-0"



ISOMETRIC VIEW
SCALE 3/8" = 1'-0"



FRONT VIEW
SCALE 3/8" = 1'-0"