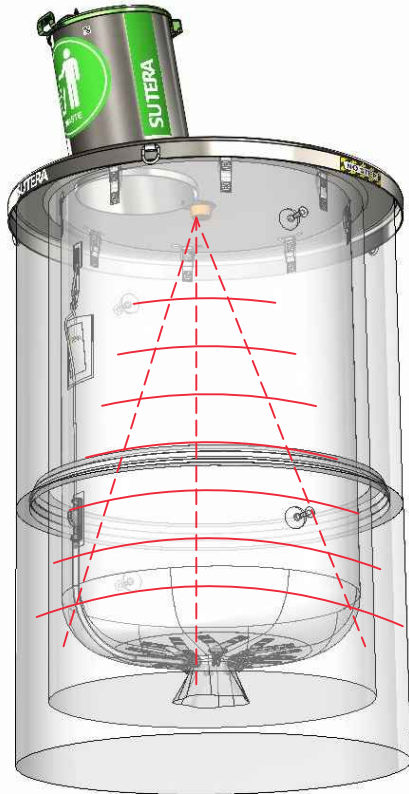


Sonar sensor Mounting Bracket Details

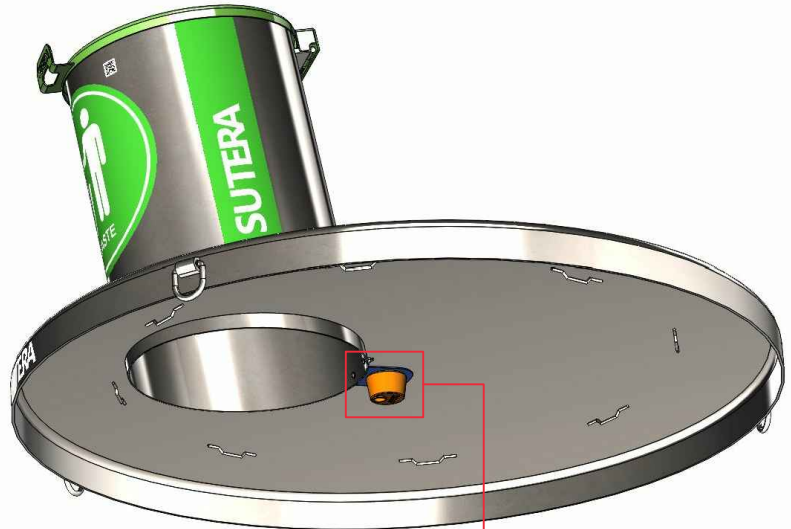
SUTERA FS-6 CAPACITY SPECIFICATIONS

IN-GROUND PRECAST CONCRETE CONTAINMENT:

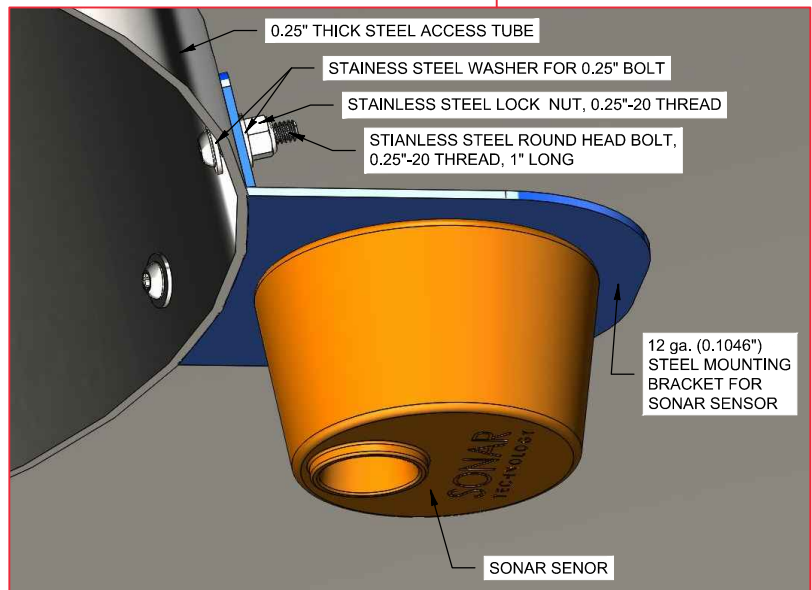
- INSIDE DIMENSIONS: 60" DIA. x 96" DEPTH
- MAX. CAPACITY: 5.82 cu.yds. (4450 liters)



ISOMETRIC VIEW 1
SCALE: NTS



ISOMETRIC VIEW 2
SCALE: NTS



ENLARGED DETAIL
SCALE: NTS