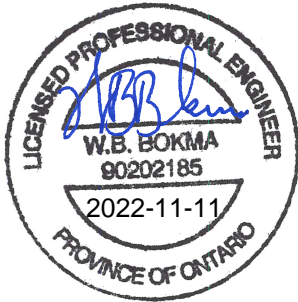


LIFTING CAPACITY

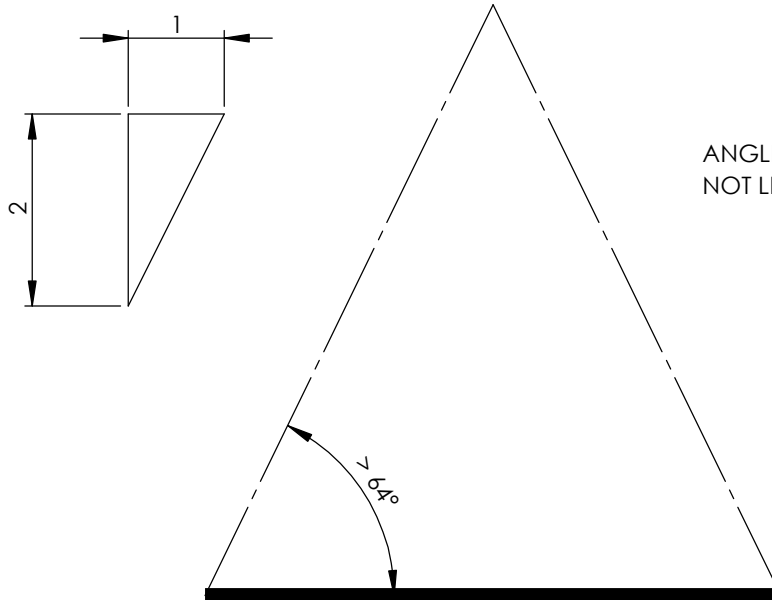
MAX. LIFTING CAPACITY FOR VERTICAL LIFT CRANE TRUCK

FS-6 & SS-6 STEEL LID



SAFE LIFTING CAPACITY = 7,200 lbs. (3,266 kg.)

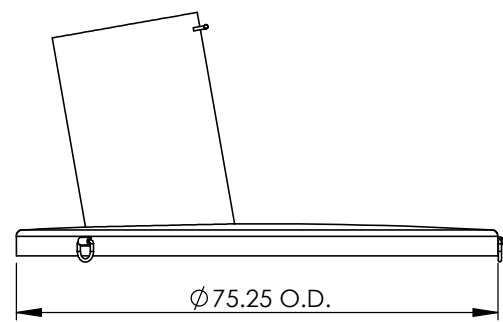
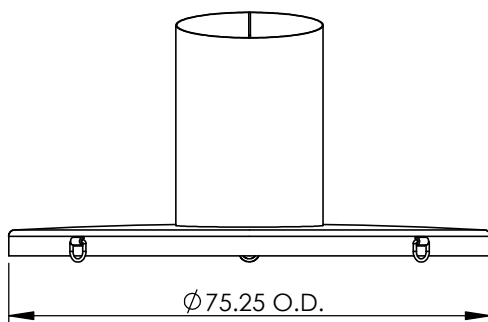
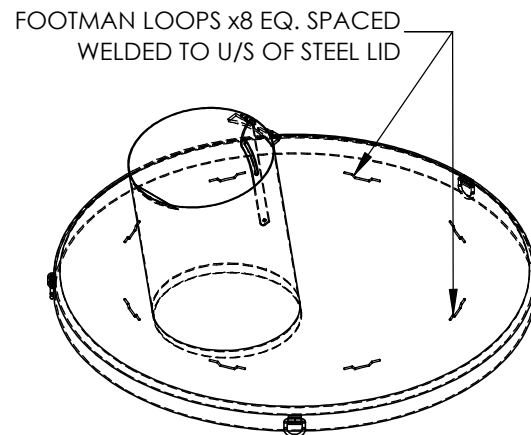
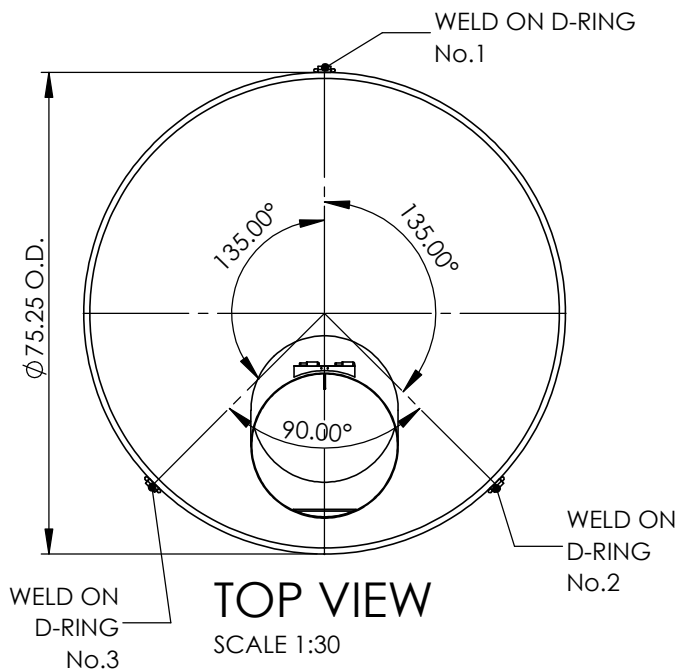
MTE Consultants Inc. Project No. 51787-100
For the confirmation of the safe lifting capacity.
Factor of Safety = 2.5
Inclination of lifting slings/chains shall not be less than 64° from the horizontal (see below).



ANGLE OF LIFTING SLINGS
NOT LESS THAN 64 DEGREES.

FS-6 & SS-6 STEEL LID

FS-6 ASSEMBLY DETAILS

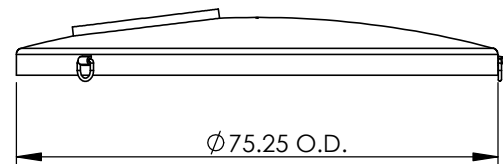
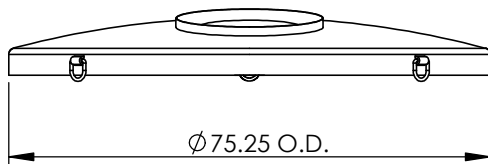
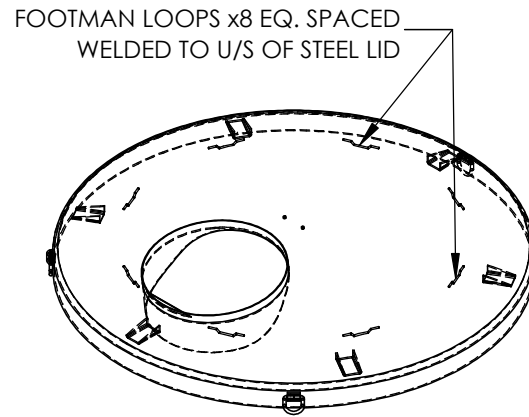
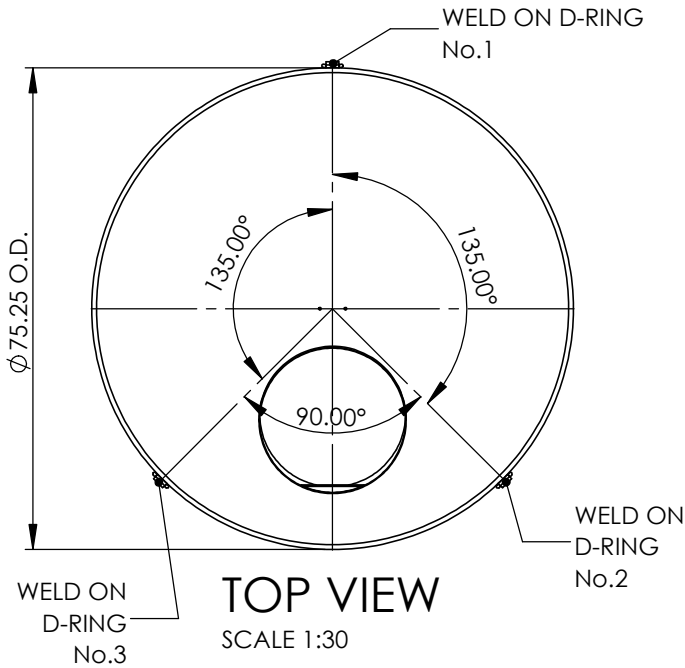


NOTES:

1. ALL DIMENSIONS ARE SHOWN IN IMPERIAL UNLESS OTHERWISE NOTED
2. MATERIAL: G44W GRADE MINIMUM CARBON STEEL
3. THICKNESS: 0.25"
4. ALL WELDED CONNECTIONS
5. REUSABLE BAG IS SUSPENDED FROM FOOTMAN LOOPS AT 8 EQUAL LOCATIONS WITH QUICK LINK CONNECTIONS

FS-6 & SS-6 STEEL LID

SS-6 ASSEMBLY DETAILS

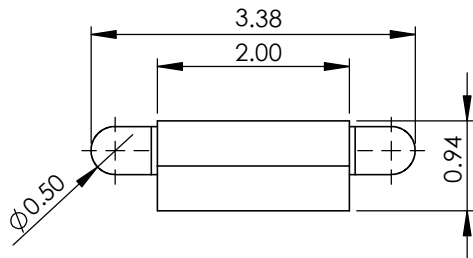


NOTES:

1. ALL DIMENSIONS ARE SHOWN IN IMPERIAL UNLESS OTHERWISE NOTED
2. MATERIAL: G44W GRADE MINIMUM CARBON STEEL
3. THICKNESS: 0.25"
4. ALL WELDED CONNECTIONS
5. REUSABLE BAG IS SUSPENDED FROM FOOTMAN LOOPS AT 8 EQUAL LOCATIONS WITH QUICK LINK CONNECTIONS

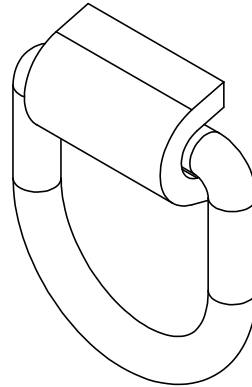
FS-6 & SS-6 STEEL LID

WELD ON D-RING DETAILS



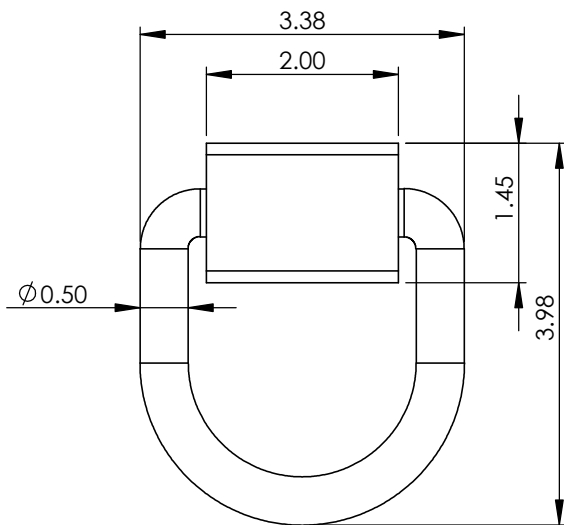
TOP VIEW

SCALE 1:2



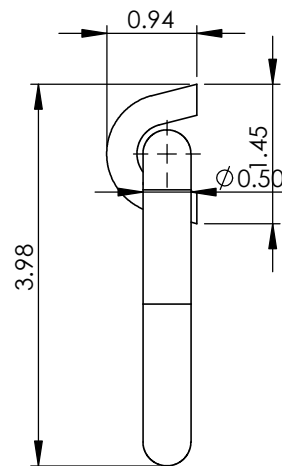
ISOMETRIC VIEW

SCALE 1:2



FRONT VIEW

SCALE 1:2

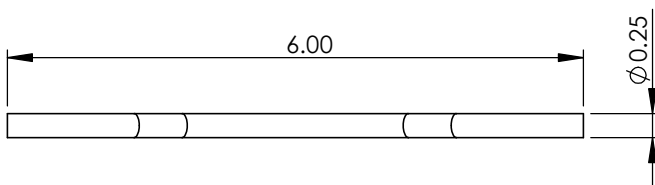


SIDE VIEW

SCALE 1:2

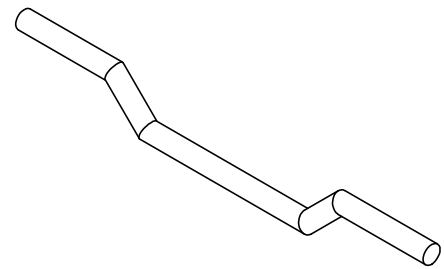
FS-6 & SS-6 STEEL LID

FOOTMAN LOOP DETAILS



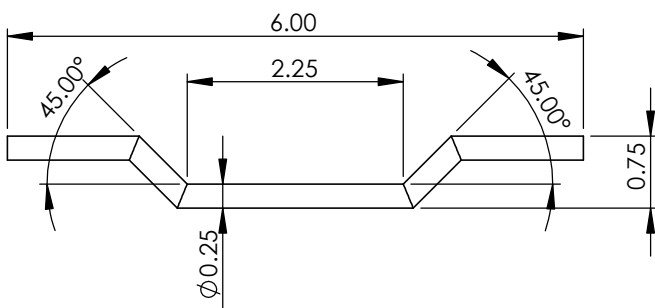
TOP VIEW

SCALE 1:2



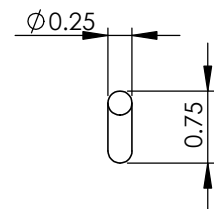
ISOMETRIC VIEW

SCALE 1:2



FRONT VIEW

SCALE 1:2



SIDE VIEW

SCALE 1:2